



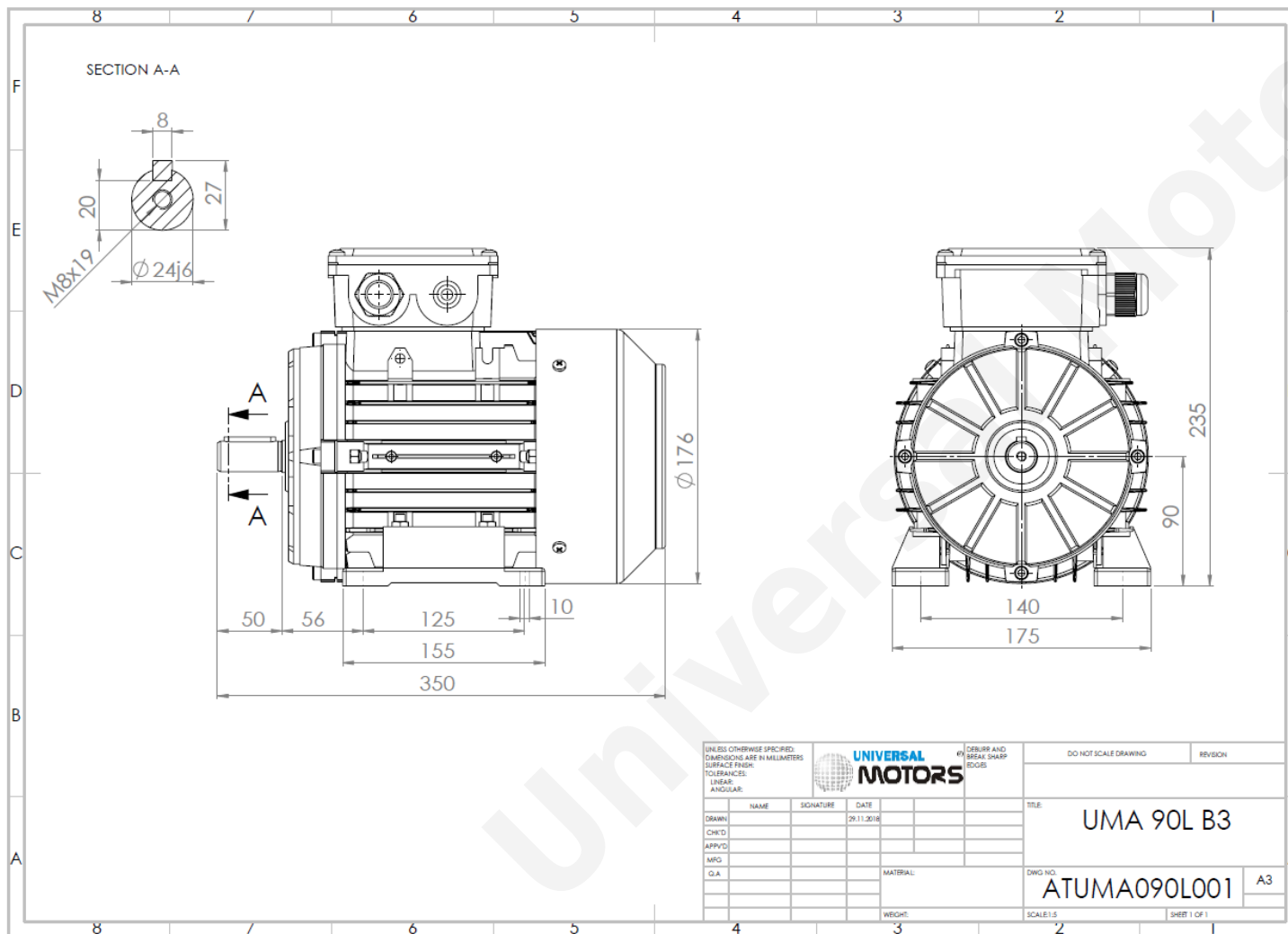
TECHNICAL DATA

Three Phase Electric Motors - Aluminum Frame

UM2A 90L1-6

1.1 kW / 1.5 Cv

950 RPM



Motor type:	UM2A 90L1-6
Output:	1.1 kW / 1.5 Cv
Speed (min ⁻¹):	950 RPM
Frequency:	50 Hz
Voltage:	400 V
Current:	2.95 A
Power factor (Cos Ø):	0.69
Poles:	6
Insulation class:	F
Temperature rise Class:	B
Efficiency 50%:	75.6 %
Efficiency 75%:	78.4 %
Efficiency 100%:	78.1 %
Torque:	11.0 N.m
Tstarting/Tnominal:	2.0
Istarting/Inominal:	4.9
Tmaximum/Tnominal:	2.4
Noise:	59 Db(A)
Weight:	15.2 Kg
Brake AC:	AC4
Torque Brake DC:	16 N.m
Bearing DE:	6205 2Z
Bearing NDE:	6205 2Z
Torque Brake AC:	20 N.m
Brake DC:	REB-05-10

UNLESS OTHERWISE SPECIFIED: DIMENSIONS ARE IN MILLIMETERS SURFACE FINISH: TOLERANCES: LINEAR: ANGULAR:				UNIVERSAL MOTORS		#1 DEBURR AND BREAK SHARP EDGES		DO NOT SCALE DRAWING		REVISION	
DRAWN	NAME	SIGNATURE	DATE	TITLE:		DWG NO.		SCALE:1:5		SHEET 1 OF 1	
CHK'D			26.11.2016	UMA 90L B3		ATUMA090L001				A3	
APP'VD											
MFG											
Q.A.											

Regime - S1

Altitude - 1000m

Environment Temperature - 40°C

CONTACTS:

UNIVERSAL MOTORS Tel: +351 252 299 080
 Rua de São Brás,745 Fax: +351 252 299 089
 4480-782 VILA DO CONDE Mail: geral@universalmotors.pt

* References applied only in the UK